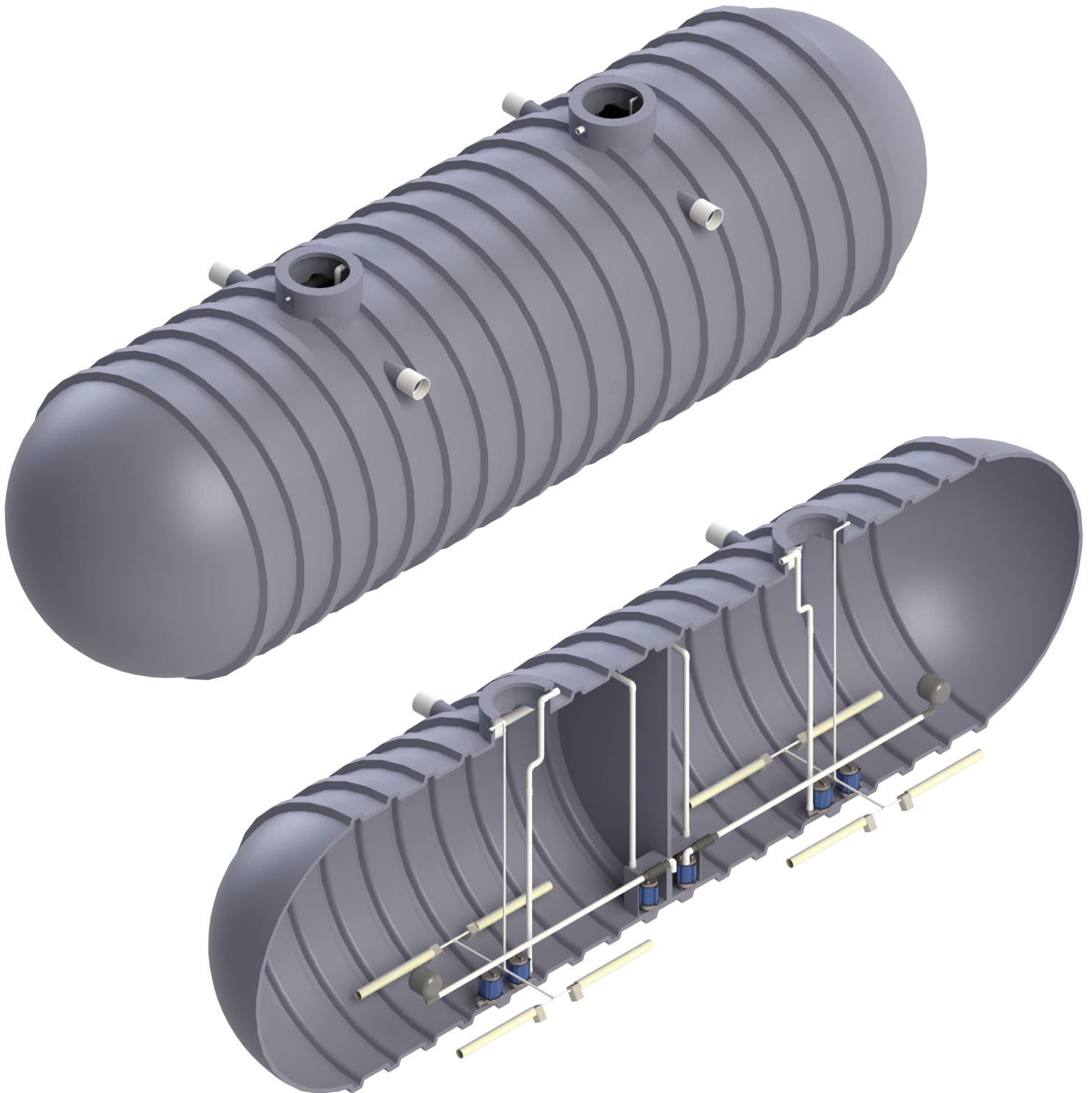
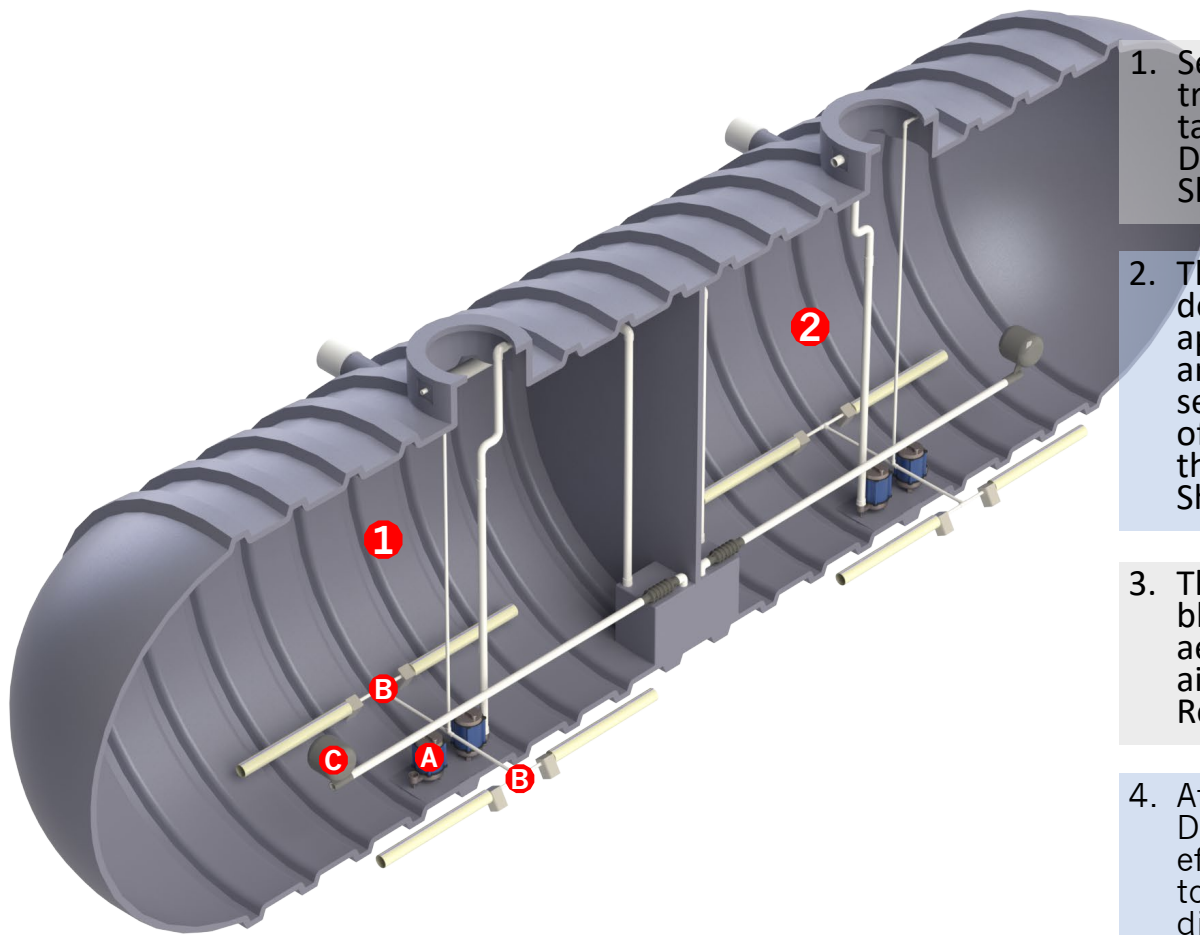


Large Flow Treatment Module

Distributed Wastewater Treatment Unit





1. Sewage enters a traditional trash/grit tank – Settling and Dosing Occur (Not Shown).
2. The Controller determines an appropriate batch size and pumps the selected volume to one of two Reactors within the Treatment Module Shown here.
3. The above grade air blowers initiate aeration through fine air diffusers (B) – Reaction occurs
4. After Settling and Decanting (C), the effluent is discharged to the specified disposal means.

Proven Design

Utilizing proven suspended growth activated sludge treatment, Sequencing Batch Reactors are recognized as an industry leading wastewater treatment technology.

Sustainable Performance

Utilizing naturally present bacteria, the OnSyte treatment system achieves greater than 80% reduction of Nitrogen and Phosphorus. In order to provide an ideal environment for the bacteria to optimally treat the wastewater, the IOT compatible controller tailors a treatment process optimized for each site.

Real Time Monitoring

Each OnSyte system is continuously monitored through an IOT compatible controller located at the site. This optimizes performance while reporting any preventative maintenance needs.

Manufacturer's Warranty

OnSyte Performance treatment systems carry a warranty of:

- 20 Years on the Tank/Vessel
- 2 Years on all Electrical and Mechanical Components
- Extended Warranty Available